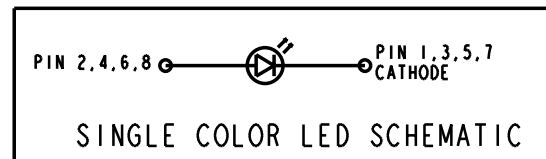
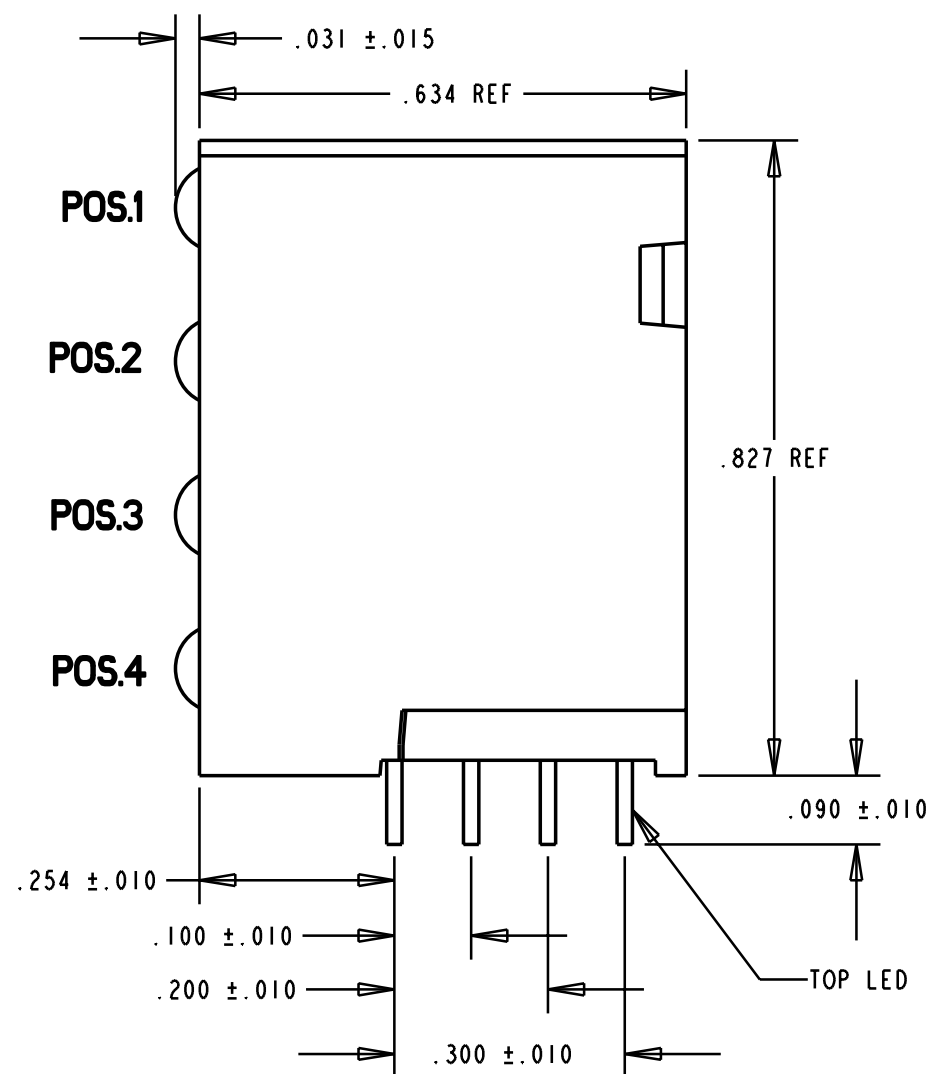
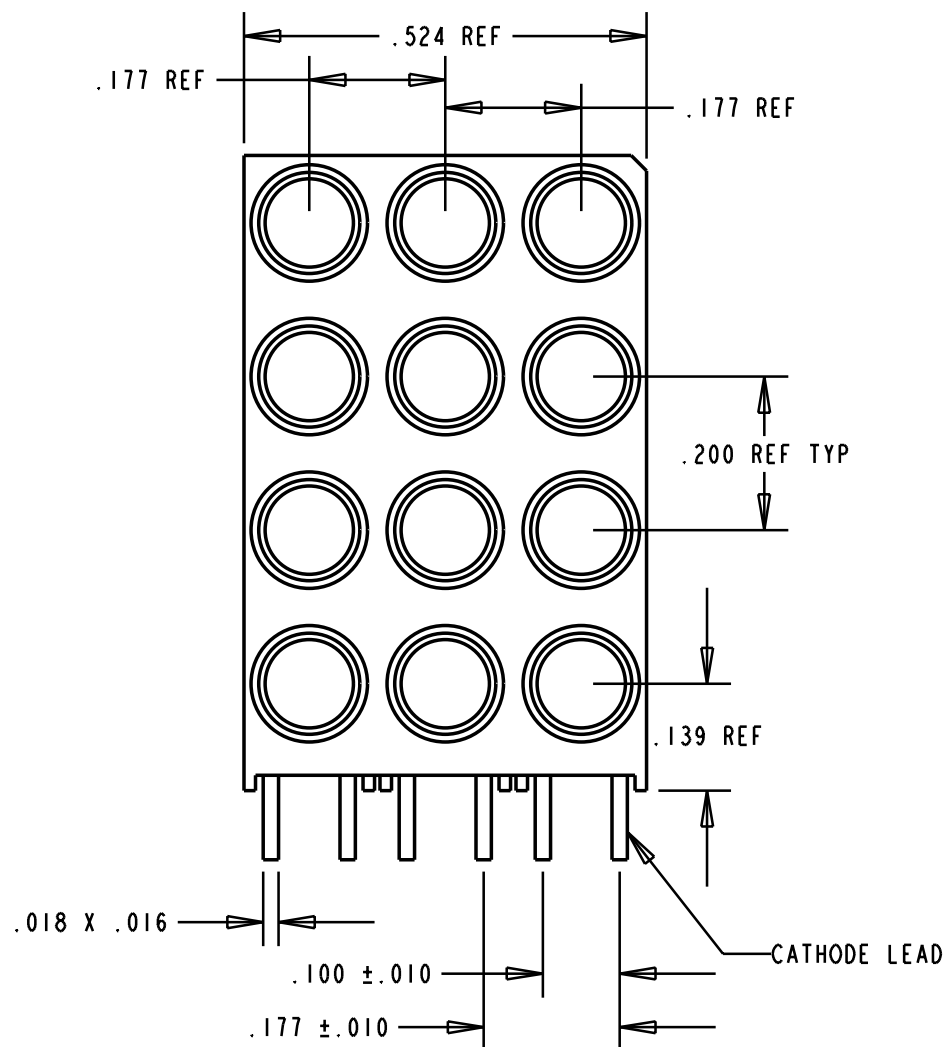


PART NUMBER	POSITION 1	POSITION 2	POSITION 3	POSITION 4
568-0241-1113	RED DIFFUSED	RED DIFFUSED	RED DIFFUSED	RED DIFFUSED
568-0242-2223	GREEN DIFFUSED	GREEN DIFFUSED	GREEN DIFFUSED	GREEN DIFFUSED
568-0243-3333	YELLOW DIFFUSED	YELLOW DIFFUSED	YELLOW DIFFUSED	YELLOW DIFFUSED

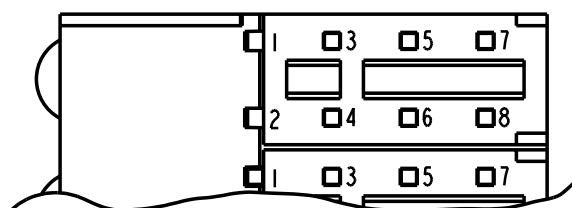
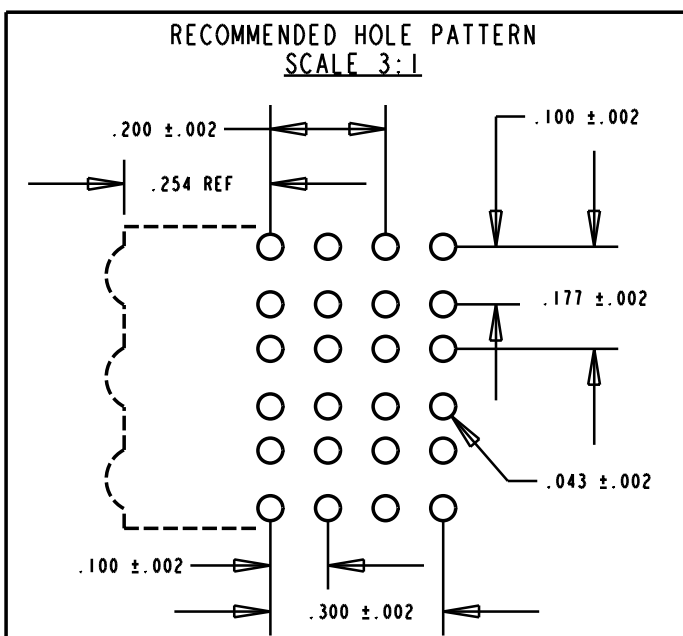


REV.	ECN NO.	REVISIONS	DRN.	CKD.	APP.	DATE
A		NEW RELEASE	TC			



NOTES:

- LEADS TO FIT INTO HOLES SPACED AS PER HOLE PATTERN
- LEADS TO BE FREE OF DEFORMATION AFTER BENDING AND CUTTING
- PIN NUMBERS FOR REFERENCE ONLY, DESIGNATION NON-EXISTENT ON PART
- LED LEAD DIMENSIONS SHOWN ARE MEASURED AT HOUSING EXIT
- PACKAGING =
BLOCKS ARE PLACED IN CLEAR ANTISTATIC TRAY
105 BLOCKS PER TRAY
- DIALIGHT PART NUMBER: 568-024X-XXX3



OPERATING CHARACTERISTICS AT 25°C AMBIENT						
CHARACTERISTICS	LED COLOR	MIN	TYP	MAX	UNITS	TEST CONDITIONS
LUMINOUS INTENSITY	RED	1.0	1.6		mcd	I _f = 2 mA
	GREEN	1.0	1.6			
	YELLOW	1.0	1.6			
FORWARD VOLTAGE	RED		1.7	2.2	V	I _f = 2 mA
	GREEN		1.9	2.2		
	YELLOW		1.8	2.7		
REVERSE CURRENT	ALL		10		μA	V _R = 5 V
PEAK WAVELENGTH	RED		635		nm	
	GREEN		565			
	YELLOW		585			
VIEWING ANGLE	ALL		60		Degree	

ABSOLUTE MAXIMUM RATING AT 25°C AMBIENT		
	UNITS	ALL
POWER DISSIPATION	mW	20
CONTINUOUS FORWARD CURRENT	mA	7
FORWARD SURGE CURRENT (10 μ SEC PULSE)	mA	500
REVERSE VOLTAGE	V	5
LEAD SOLDERING TEMPERATURE, 5 SEC., 1/16" FROM BODY	°C	260
OPERATING TEMPERATURE	°C	-55 TO +100
STORAGE TEMPERATURE	°C	-55 TO +100

THIS DRAWING AND THE CONTENTS HEREIN ARE CONFIDENTIAL AND THE SOLE PROPERTY OF DIALIGHT. REPRODUCTION OF THIS DRAWING OR CONSTRUCTION OF ANY PARTS WITHIN THIS DRAWING ARE FORBIDDEN WITHOUT THE WRITTEN CONSENT OF DIALIGHT.

SCALE 4:1		DRAWING NUMBER	REV
ALL DIM'S IN: INCHES		C-16612	A
TOLERANCES: UNLESS OTHERWISE SPECIFIED		TITLE 4X3 CBI ARRAY BLOCK	
FRACTIONS: ±1/64		MATERIAL	
DECIMALS (.XX): ±.020			
DECIMALS (.XXX): ±.015			
DECIMALS (.XXXX): ±.005		1913 ATLANTIC AVE. MANASQUAN, N.J. 08736	
ANGLES: ±3°		SHEET OF FAMILY TABLE:	
FINISH:		FSCM 83330	